

FX400-10000

Souage-Cone Mixing Machine



Usage:

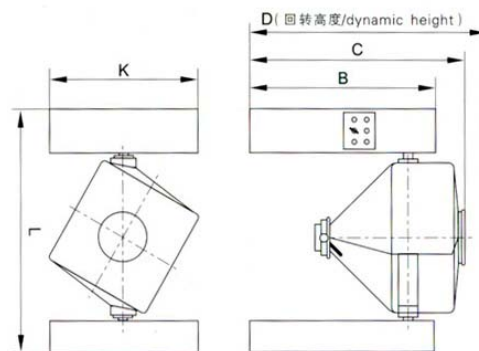
FX series Mixer is used in pharmaceutical industry mainly for mixing of granules and powder, granules and granules, powder and powder. It gains the merits of large batch size, proportional load supporting, steady operation, etc. Meanwhile, it can be widely used in such areas as raw medicine material industry, chemical industry, foodstuff industry, etc.

Principle:

FX series Mixer consists of supporting shelf, driving system, controlling system, etc. To start to work, charge the materials into the container and close the cover. Assign the parameters as mixing time, mixing speed according to requirements. Switch on the button to start the driving motor, the machine starts to work. Reaching to the assigned parameters, the braking system works, the machine stops accordingly with the container orientated vertically. The mixing craft is then finished and can separate, the braking system works, the machine stops accordingly with the container orientated vertically. The mixing craft is then finished and can separate materials from the container. The structure trait of HGD series Mixer is that the container and the mixing axis make of an angle, the movement of the materials inside the container contains not only overturn, but tangent movement along the wall of container. This gains it a perfect mixing efficiency.

Features:

FX series Mixer is the brand-new successfully type by our company widely researching, absorbing and digesting foreign updated models. It has compact structure, steady performance and is convenient to operate. There is no dead angle, no concave-convex face and no screw on surface. All angles are cambered. The surface outside and inside is polished to high quality. Roughness degree inside is $Ra \leq 0.2\mu m$, and outside is $Ra \leq 0.4\mu m$. Applying sealing appliance made of silicon latex on the cover of the container to gain a good airproof quality, and butterfly valve against wrong way operation. It's easy to wash. Charging coefficient arranges from 50% to 80% with adjustable mixing time and speed, the mixing coefficient reaches to 99%. It's in conformity with the GMP requirements.



Main Technical Specifications	FX-400	FX-600	FX-800	FX-1000	FX-1200	FX-1500	FX-1800	FX-2000	FX-3000	FX-4000	FX-5000	FX-10000
B	1720	1800	1800	2000	2050	2100	2150	2200	2500	2750	2900	3450
C	1925	2050	2165	2245	2395	2515	2565	2680	2950	3400	3600	4230
D	2200	2360	2500	2700	2800	2900	3000	3250	3530	3800	4000	5040
L	1920	2140	2650	2750	2850	2900	2900	2950	3650	3950	4300	5500
K	1200	1200	1200	1400	1400	1400	1400	1400	1800	1800	2000	2850
Volume(L)	400	600	800	1000	1200	1500	1800	2000	3000	4000	5000	10000
Power(Kw)	1.5	2.2	3	4	4	5.5	5.5	5.5	7.5	7.5	7.5	11
Weight(Kg)	600	700	800	10000	1200	1500	1800	2000	3000	4000	5000	8000