

Smart S-Tablet Press



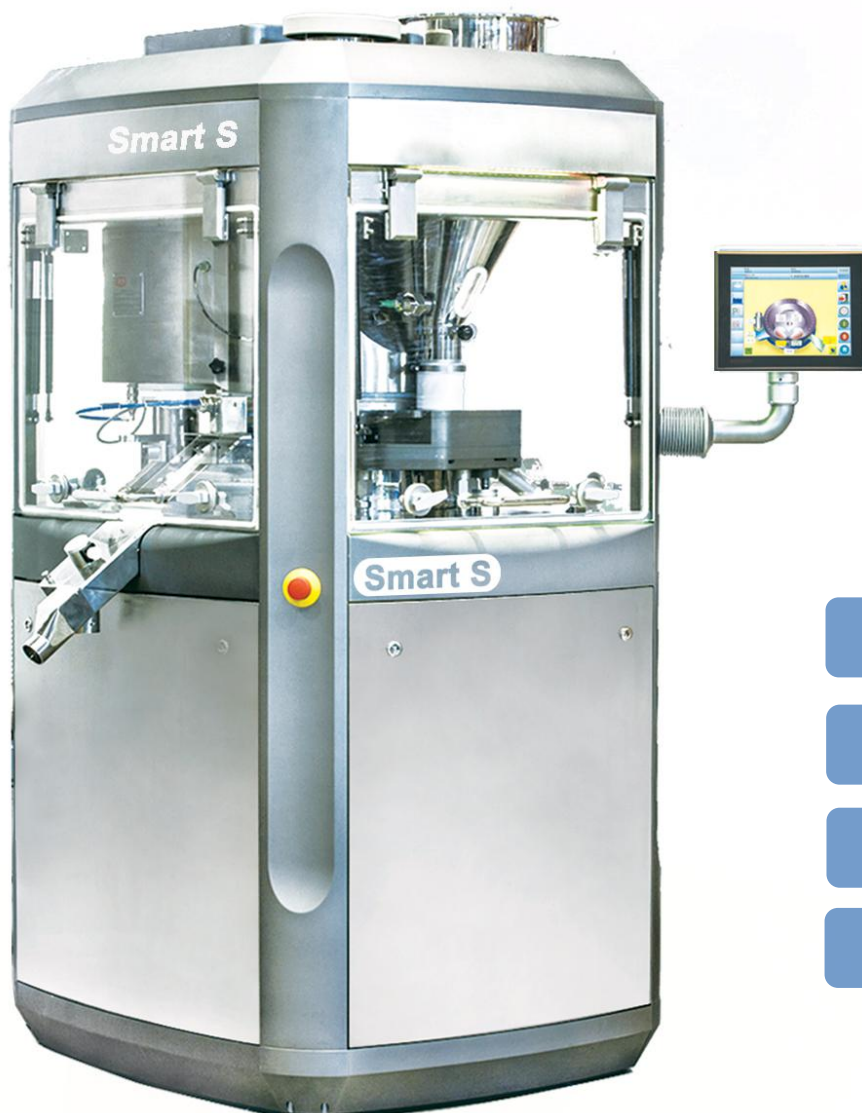
Smart S-Tablet Press

The **Smart S** Tablet Press is an economical, reliable, pharma rotary tablet press, developed to meet all current customer requirements in the Pharmaceutical Industry, offering outstanding production stability and quality results.

Smart S Tablet Press with interchangeable turret.

Highlights

- **S = Simple handling**
- **M = Modular packages**
- **A = Automated operation**
- **R = Robust & Compact design**
- **T = Turret change**



Smart S ST26

Smart S ST32

Smart S ST40

Smart S ST44



The **Smart S** Tablet Press has been developed to enhance the concept of flexibility and automation of the proven S250 tablet press, well known for its robustness and reliability. The new version combines established technology with the latest controls and an interchangeable turret.

SIMPLE HANDLING

The machine is user friendly. Operators with experience on existing machines are able to handle new S250, while a standard training course is sufficient for effective tablet manufacturing. The software has been designed in a simple and self explanatory manner, enabling operators to handle the machine efficiently and safely.

MODULAR PACKAGES

Available in two version:

- Traditional
- Classic

As standard each version includes a number of functions each one with different options to satisfy current market requirements.

AUTOMATED OPERATION

The **Smart S** Tablet Press is controlled by the newest computerized system entirely remote from the visual system. The HMI (Human Machine Interface) is fully integrated and linked with a controller.

The automation of the new system also offers the following advantages.

- Display of the pre and main pressure penetration
- Recipe, batch date, alarm, error messages
- Wall dimension pre-pressure/main pressure measurement
- Fill depth measurement and display
- Pre-pressure and main pressure values (individual and Srel)
- Tooling format details
- Weight(optional)
- Diagnosis and error messages-easy maintenance
- Fillshoe speed
- Tablet output

ROBUST AND COMPACT DESIGN

The machine has a very compact design. There is no external electrical cabinet as the electronic components are included in the machine housing as a result of which less space is required in the production room. Additionally the machine can be easily moved.



Features:

- Contact parts 316L.
- Up to 300,000 tabs/h.
- Adopt reinforced frame design, more stable running under high stress with wider range of application.
- Adopt Germany brand IPC with fast response speed & high reliability.
- All-in-one machine design, move conveniently.
- Back positioned electrical cabinet with more Operation space in front.
- Controlled by cantilever screen structure, can multidirectional rotating, avoid accidental injury.
- Unique oil scrapper design with better scrapping result.
- Optimize feed structure with short transmission distance, free maintenance.
- Interchangeable turret, internal module can be lifted, simple operation in short time.
- Gas spring lock+double mechanical lock, higher safety.
- The entire silicon sealing strip, sealing effect is better.
- New design with modern outlook, friendly HMI.
- Display pre and main pressure bar chart
- Automatically control tablet weight through pressure
- Upper punch tightness
- Tablet jam
- Pre and Main pressure tablet thickness
- Monitor lubrication oil pressure
- Monitor single tablet ejection
- Monitor pressure overload
- Monitor motor overload

TURRET CHANGE

The upper machine head can be lifted to ease turret removal. This operation is carried out in a short time, the turret can be removed simply and quickly. Afterwards it can be swung out and positioned on a trolley.

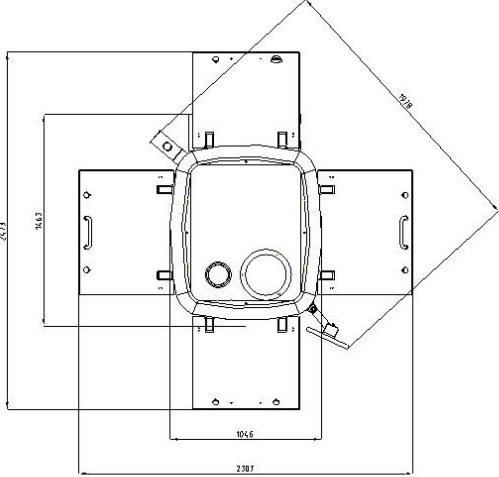
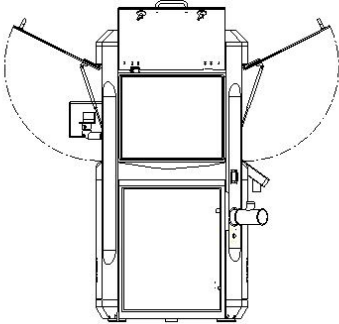
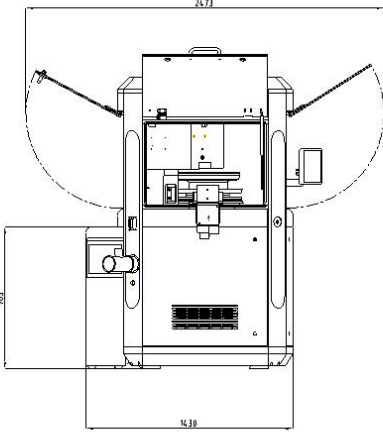
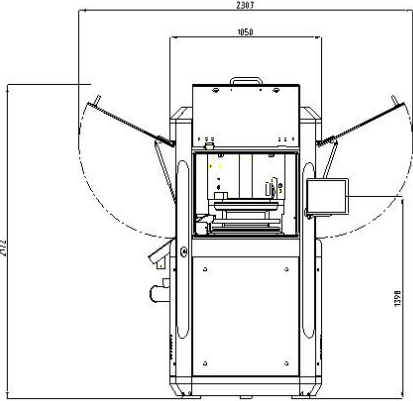




Classic

Technical Data	Smart S			
	ST26	ST32	ST40	ST44
Machine Configurations	Mono-layer			
Punch&die type(EU)	D	B	BB	BBS
Number of press station	26	32	40	44
Max tablet diameter(mm)	25	16	13	11
Max output(Tablet/h)	175,000	220,000	270,000	300,000
Max filling depth(mm)	20	16	16	16
Max main pressure(KN)	100	80	80	80
Max pre pressure(KN)	40	40	40	40
Compressed air	100L/min 0.6-0.8MPa			
Power	400V 50/60HZ 8Kw			
Closed Dimension (mm)	1320x1020x1998		1463x1580x2081(Classic)	
Opened Dimension(mm)	2198x2124x2307		2473x2307x2172(Classic)	
Weight (KG)	1,925		2,800(Classic)	

Dimensions:



SaintyCo also offer:

Encapsulation Solutions

Tablet Compression Solutions

Coating Systems

Cartoning Systems

Blister Packing Solutions

