

# T ablet Deduster

## C&C200B



## Tablet Deduster

**C&C200B** tablet deduster is an automatic continuous high speed tablet sifter, which can be attached to any type of rotary tablet press. Its function is to separate surplus powder absorbed on surface of tablets by the air vacuum suction, which accumulated during the pressing process. It also polishes the tablet edge by screen sifting and rotating.

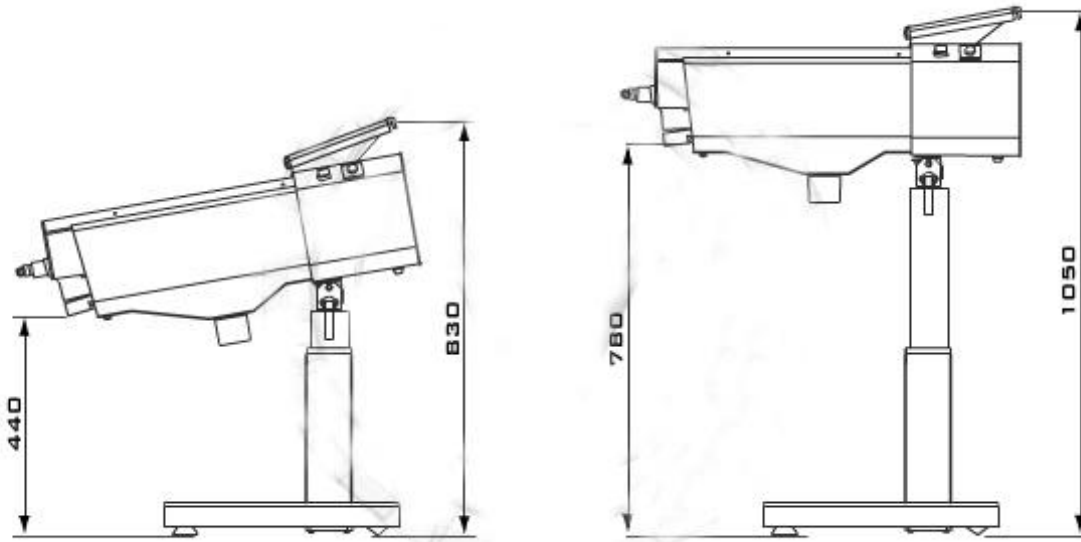


**Features:**

- Capacity: 800,000 tablets/hr. (ref. Ø6mm round tablet)
- Deduster distance: 4.5 meter
- Screen mesh size: Ø3mm (standard)
- Sieve rotation speed: 10-150rpm
- Power Supply: 110V/220V, 60Hz/50Hz
- Air Consumption: 300 m3/hr
- Compressor air: 6 bar  
(working compressor: 2 bar)



**Dimensions:**



Technical Specifications	C&C200B
Tablet Diameter (mm)	Ø3-Ø25
Max Output Capacity (t/h)	800000(Ø6)
Dedusting Distance (m)	3.0
Power Supply	1PH 220V/110V 50Hz/60Hz 0.1kw
Compression Air	0.1 m <sup>3</sup> /min 0.05MPa
Vacuum	2.7 m <sup>3</sup> /min -0.1MPa
Dimension (mm)	750 x 320x(830-1000)
Weight (kg)	40

SaintyCo also offer:

Encapsulation Solutions

Tablet Compression Solutions

Coating Systems

Cartoning Systems

Blister Packing Solutions

