

Uphill Tablet Deduster

C&C200C



Uphill Tablet Deduster

Model C&C200C Uphill Tablet Deduster utilized the latest developments and advanced technologies in the pharmaceutical industry to fulfill one of the most important parts of solid dosage manufacturing. This Uphill Tablet Deduster enable to perform both elevating and dedusting process simultaneously at ultra high speed that is highly demanded by medium to mass production tableting scales. It is a perfect attachment unit for any types of rotary tablet presses as well as metal detectors, which made it extremely applicable for pharmaceutical, nutraceutical, chemical, foodstuff and other related applications.



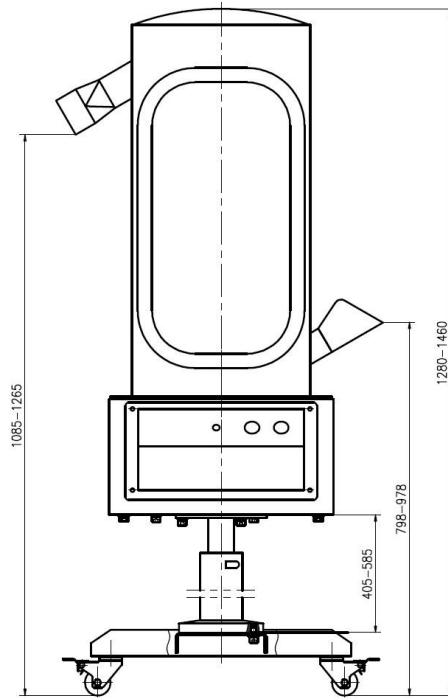
C&C200C

Features:

Its advantages include long dedusting path, automatic tablet polishing of all sides/angles, and high quality dedusting without damage to the tablets. The machine is also employed many new designs and features to ensuring better and safer operations. Furthermore, it can act as a delivering device for any shapes and sizes of tablets that need to be dedicated in dedusting. It is designed and manufactured in conformance to cGMP standard.

**C&C200C+Metal Detector**

Dimensions:



Technical Specifications	C&C200C
Tablet Diameter (mm)	Ø5-Ø25
Max Output Capacity (t/h)	800000(Ø6)
Inlet height (mm)	798-978
Outlet height (mm)	1085-1265
Dedusting Distance (m)	6.0
Power Supply	1PH 220V/110V 50Hz/60Hz 0.1kw
Compression Air	0.1 m ³ /min 0.05MPa
Vacuum	2.7 m ³ /min -0.1MPa
Dimension (mm)	500 x 550 x(1350-1500)
Weight (kg)	70

SaintyCo also offer:

Encapsulation Solutions

Tablet Compression Solutions

Coating Systems

Cartoning Systems

Blister Packing Solutions

