

F

uid-Bed Granulator & Coater-Combo

DPL Series



Fluid-Bed Granulator & Coater-Combo

DPL Series Fluid Bed Granulators and Coaters have multi-functional systems. The top spray system is the third generation of the top spray granulator. It is more efficient than most common fluid bed granulators in the industry. This type of advanced series equipment integrates three fluid bed processes including the top-spray granulating, bottom spray coating, tangent spray pelleting and coating, so that it achieves both technological and economical advantages in solid dose processing and other applications.

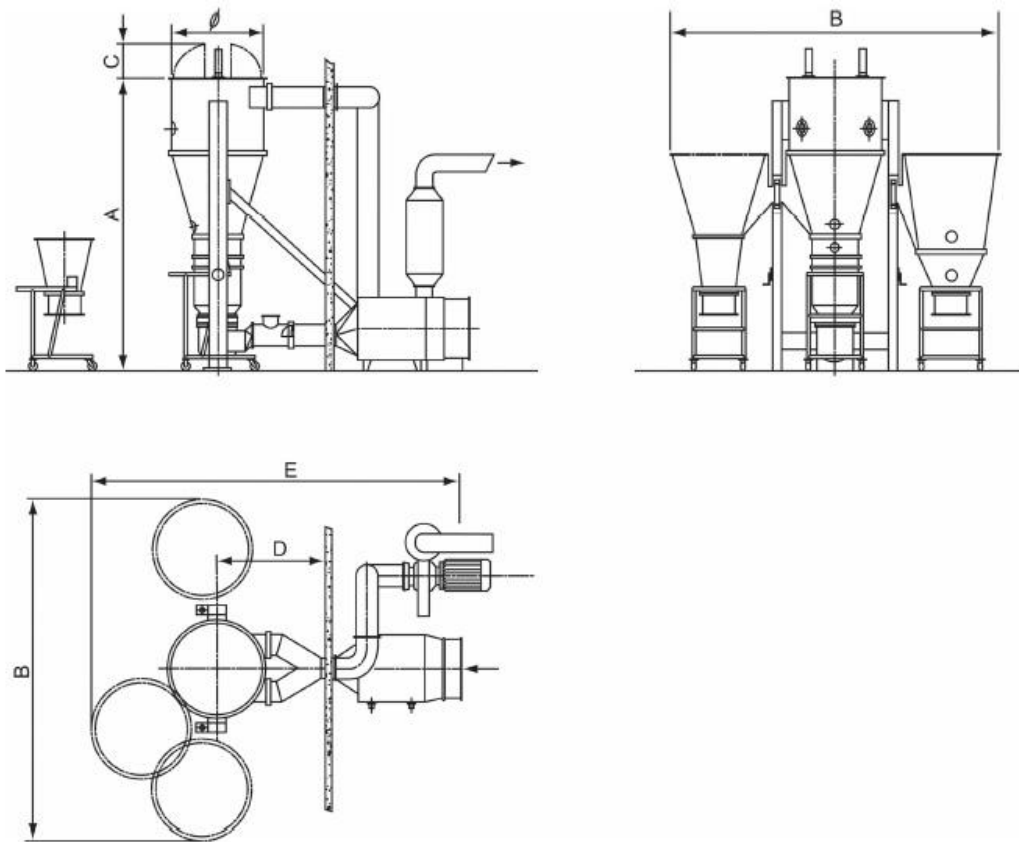


Features:

- High efficient dryer
- Granulator meeting different requirements
- Bottom spray coating system
- Tangent spray rotor system for powder laying, pelleting, coating
- Intelligent control system
- 2bar shock resistant as standard
- Different spray nozzles for choosing



Dimensions:



| Technical Data | | DPL-5/10 | DPL-15/30 | DPL-30/60 | DPL-60/120 | DPL-100/200 |
|---|---------------------|-----------------|-----------|-----------|------------|-------------|
| Material Container | Volume (L) | 45 | 100 | 220 | 420 | 670 |
| | Dimension (mm) | 500 | 900 | 1200 | 1400 | 1600 |
| Capacity (Top Spray) kg/batch | | 10 | 30 | 60 | 120 | 200 |
| Capacity (Bottom, Tangent Spray) kg/batch | | 5 | 15 | 30 | 60 | 100 |
| Steam | Pressure (Mpa) | 0.4-0.6 | | | | |
| | Steam flow (kg/h) | 50 | 100 | 160 | 240 | 320 |
| Compression air | Pressure (Mpa) | 0.6 | | | | |
| | Steam flow (m3/min) | 0.6 | 0.6 | 0.9 | 1.1 | 2.0 |
| Blower (Kw) | | 7.5 | 7.5 | 11 | 22 | 30 |
| Heater (Kw) | | 21 | 54 | 78 | 108 | 163 |
| Noise (db) | | less than 75 db | | | | |
| Tower Dimension (mm) | A | 2900 | 3200 | 3900 | 4300 | 4800 |
| | B | 1280 | 1760 | 2310 | 3520 | 3750 |
| | C | 2300 | 3460 | 4200 | 4510 | 4860 |
| | D | 900 | 1320 | 1420 | 1640 | 2000 |
| | E | 500 | 1000 | 1200 | 1400 | 1600 |

SaintyCo also offer:

Encapsulation Solutions

Tablet Compression Solutions

Coating Systems

Cartoning Systems

Blister Packing Solutions

