

P harma Lifting Column-For Bin

NTD Series



Pharma Lifting Column-For Bin

NTD series Pharma Lifter is mainly used in pharmaceutical industry for transferring and charging powder and granules. It can be used along with such main equipments as bin blender, tablet press, capsule filling machine and so on. Applying the NTD series Pharma Lifter has optimized the producing flow, avoided dust and cross pollution. It's the desirable transferring equipment in pharmaceutical industry for solid dosage sector. Meanwhile, it can be widely used in such areas as raw medicine material industry, chemical industry, foodstuff industry, etc.

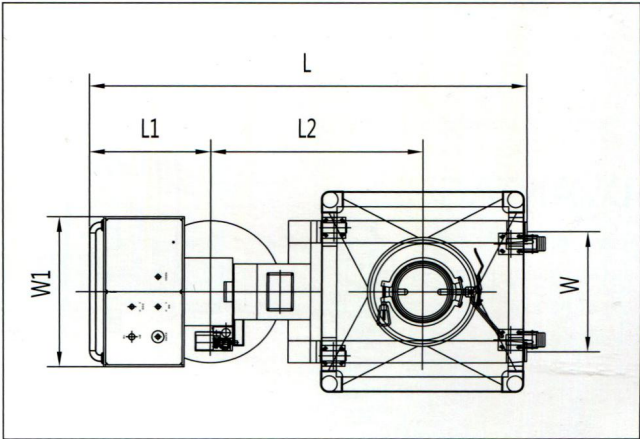
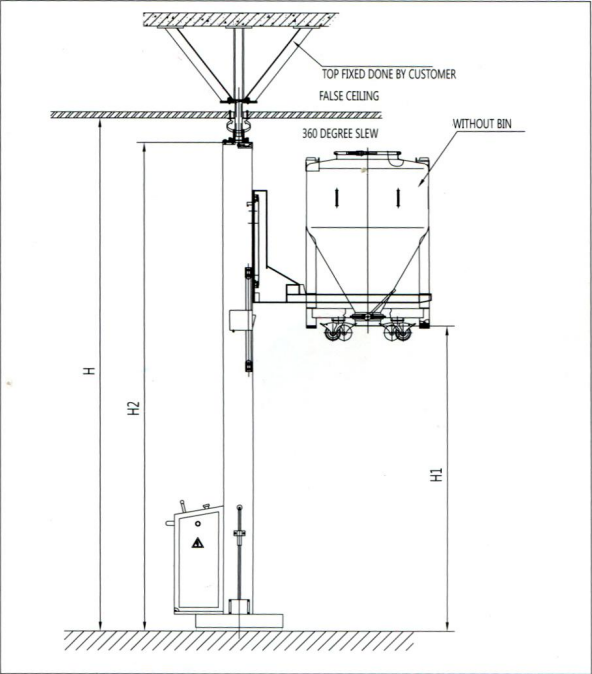


Features:

- Pharmaceutical design:- Ra < 1,5 µm for exterior surface
- Max load: 3000 kg
- Column height max. 6000 mm
- Lifting, lowering motorized
- Pick up by lifting arm at floor level
- Arm rotated
- Slewing motorized
- Column floor - / ceiling mounted
- Stainless steel collar for sealing of intermediate ceiling
- Height stop device for exact repetition and safe positioning height: -
Pneumatically retractable
- Pneumatic drive for butterfly valve of container
- Valve opening system incl.:
 - 1.Pneumatic control
 - 2.Integration of piping inside of column
 - 3.Controls onto cabinet
 - 4.Linear vibrator operating with push buttons
- Pendant control, yellow 3 m cable between the machine and the controls
- For each function one operating element Hold-to-run control to execute the movement
- Interlock in order to prevent damage or mal operation, following functions are locked:
 - Slewing only in max. lift position
 - Height stop device only retractable at pick up slew position
 - Lifting and lowering only possible in 2 slew-end-positions
 - Non explosion proof design
 - Location of control cabinet at the back of the Machine
 - Electric installation acc. EN 60204, with single core labelling



Dimensions:



Technical Data	NTD 200	NTD 300	NTD 400	NTD 600	NTD 800	NTD 1000	NTD 1200	NTD 1500	NTD 1800	NTD 2000	NTD 2500	NTD 3000
L	1765	1965	1965	2165	2165	2365	2365	2365	2365	2365	2610	2660
L1	600	600	600	600	600	600	600	600	600	600	610	610
L2	850	950	950	1050	1050	1150	1150	1150	1150	1150	1250	1300
W	410	460	460	600	600	750	750	750	750	750	880	880
W1	750	750	750	750	750	750	750	750	750	750	750	750
H	4000	4000	4000	4100	4200	4200	4300	4400	4600	4800	5000	5000
H1	2500	2500	2500	2500	2500	2500	2500	2500	2500	2500	2500	2500
H2	3800	3800	3800	3900	4000	4000	4100	4200	4400	4600	4800	4800
Net Load(Kg)	200	300	400	600	800	1000	1200	1500	1800	2000	2500	3000
Total Power(Kw)	2.2	2.2	2.2	2.2	2.2	3	3	3	3	3	3	3
Total Weight(Kg)	500	550	600	650	800	850	950	1100	1200	1300	1900	2000

SaintyCo also offer:

Encapsulation Solutions

Tablet Compression Solutions

Coating Systems

Cartoning Systems

Blister Packing Solutions

