

Blister Packing Machine



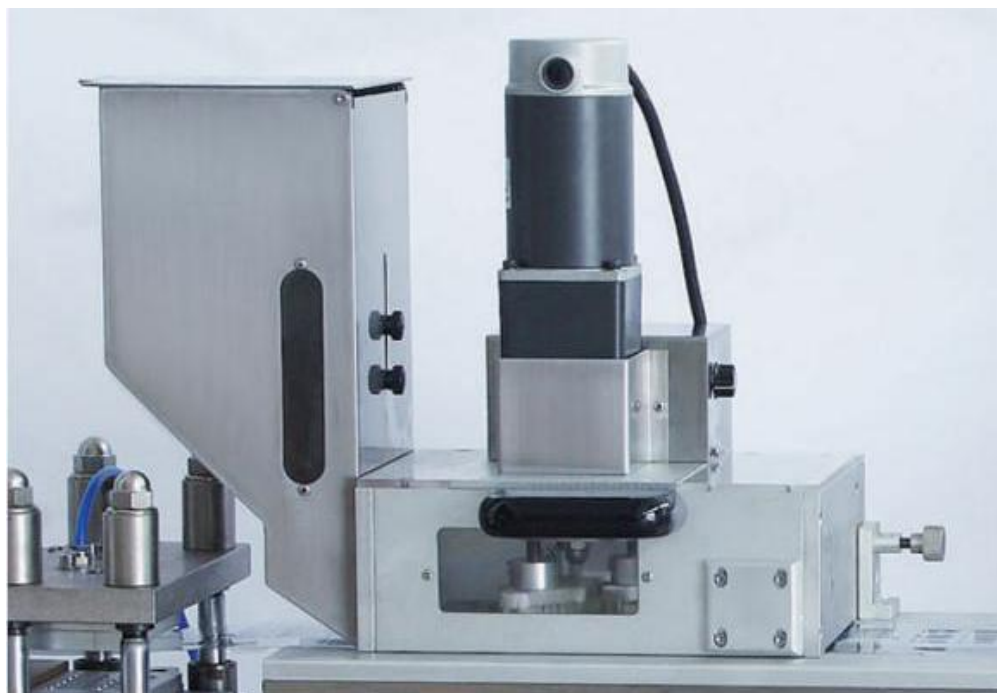
BP-150 is flexible and allows the adding of a great variety of accessories and optional extras:

- Cold forming
- Pre-cutting
- Extended feeding area
- Inspection and rejecting control systems.
- Print mark registration
- Automatic feeder



Features:

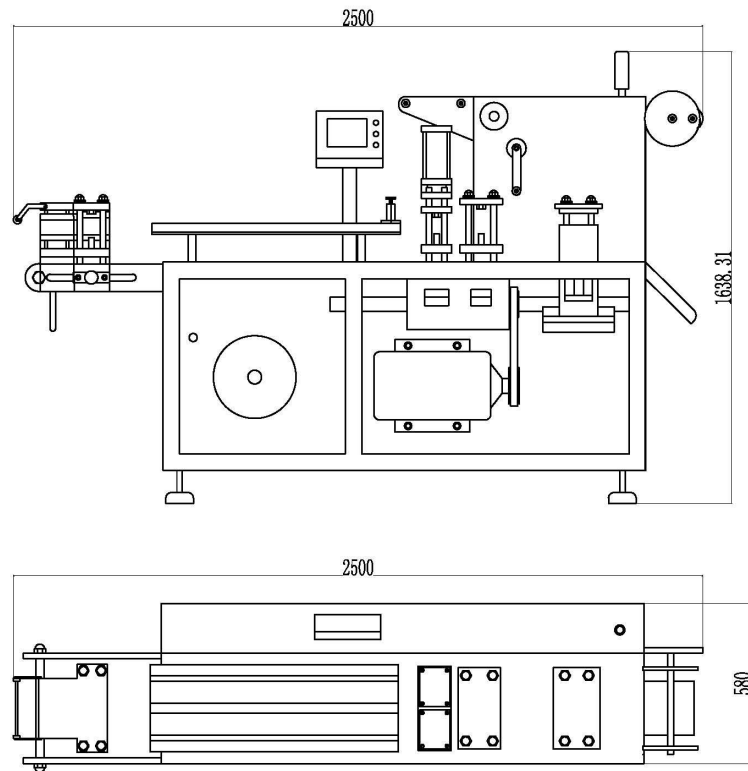
- It is specially designed for small size productions that require a high flexibility.
- Its modular and compact concept optimizes the production in a small working area.
- Main advantages of this machine are the simple operation and the high efficiency.
- It allows forming thermoplastic and cold forming materials (Alu-Alu).
- Automation by PLC and operation through touch screen control panel.
- It has mechanical drives, which lend it high robustness and low maintenance.



Alu/PVC Blister Packs



Alu/Alu Blister Packs

Dimensions:

Technical Data	BP-150
Speed	Alu/PVC: Up to 50 Cycles/min Alu/Alu:Up to 25 Cycles/min
Travel range	40-120mm
Max. Forming Area	140×110mm
Max. Forming depth	12mm (20mm can be customized for option)
Forming foil	PVC, PVC+PVDC, PVC/aclar, ALU-ALU.etc.
Total power	3.8 kw
Air volume flow	≥0.2m ³ /min
Air pump pressure	0.4-0.6Mpa
Water consumption	Water cycle 20L/ minutes
PVC specifications	0.25×150mm
Aluminum Foil	0.02×180mm
Dimensions	2500×580×1638 mm
Weight	620kg

SaintyCo also offer:

Encapsulation Solutions

Tablet Compression Solutions

Coating Systems

Cartoning Systems

Blister Packing Solutions

