

Semi-Auto SF-V25 Capsule Filling Machine



Capsule Filling Machine

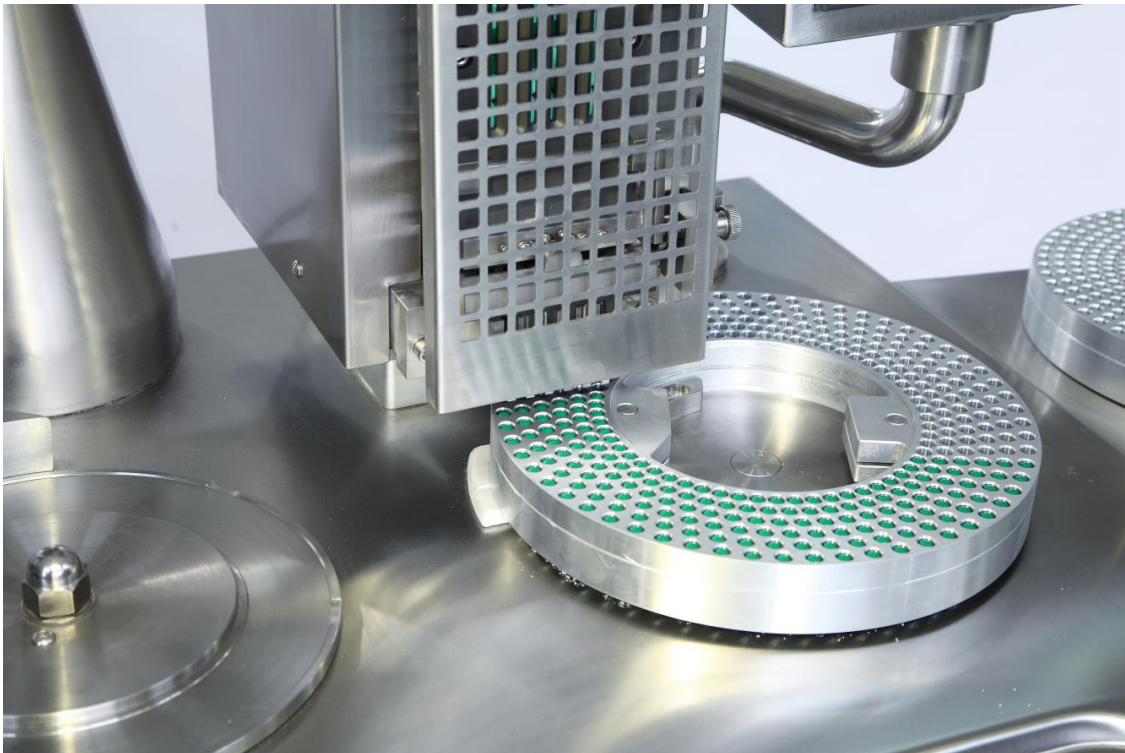
SF-V25 Semi-Automatic Capsule Filler is our latest design with ultra quiet operation, which has eliminated the use of noisy portable compressor air like other models in the industry. It is up to 35,000 capsules/hour.



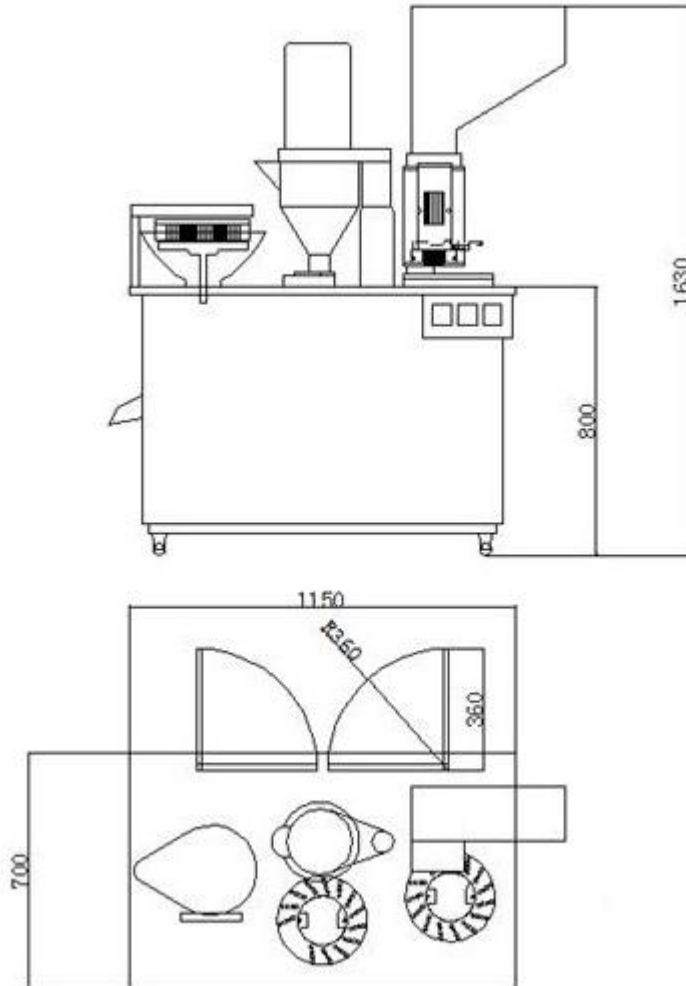
SF-V25

Features:

- Up to 35,000 capsules/hour
- Contact parts made of stainless steel
- Fast changeable of mould
- Come with the training video, dual capsule ring, extra large powder hopper
- Pump unit, water recycling system
- cGMP compliant
- CE marked



Dimensions:



Technical Data	SF-V25	
Capacity	00#	Up to 25,000 capsules/hour
	0#	Up to 30,000 capsules/hour
	1# 2# 3# 4#	Up to 35,000 capsules/hour
Power	220V 60Hz 3Ph 2.21KW or as required	
Noise	63dBA	
Dimensions (L x W x H)	1290 x 750 x 1630 mm ³	
Net Weight	330 kg	
Gross Weight	450kg	

SaintyCo also offer:

Encapsulation Solutions

Tablet Compression Solutions

Coating Systems

Cartoning Systems

Blister Packing Solutions

