

Semi-Auto SF-25 Capsule Filling Machine



Capsule Filling Machine

SF-25 Semi-Automatic Capsule Filler is our latest design with ultra quiet operation, which has eliminated the use of noisy portable compressor air like other models in the industry. It is up to 25,000 capsules/hour.

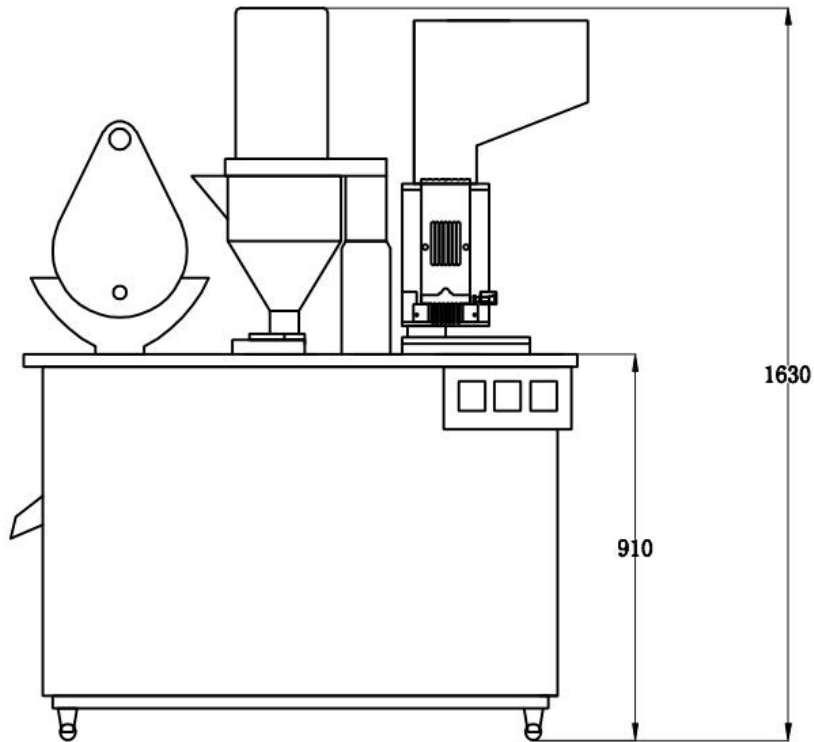


Features:

- Up to 25,000 capsules/hour
- Contact parts made of 316L stainless steel
- Fast changeable of mould
- Come with the training video, dual capsule ring, extra large powder hopper
- Pump unit, water recycling system
- cGMP compliant
- CE marked



Dimensions:



Technical Data	SF-25
Max. output	Up to 25,000 capsules/hour
Suitable Capsule	0#,00#,1#,2#,3#,4#
Power	220V/380V,50/60Hz 3Ph 2.2KW or as required
Noise	70dBA
Dimensions (L x W x H)	1350×700× 1600 mm
Net Weight	400kg

SaintyCo also offer:

Encapsulation Solutions

Tablet Compression Solutions

Coating Systems

Cartoning Systems

Blister Packing Solutions

