

Square-Cone Mixing Machine

FX Series



Square-Cone Mixing Machine

FX series Mixer is used in pharmaceutical industry mainly for mixing of granules and powder, granules and granules, powder and powder. It gains the merits of large batch size, proportional load supporting, steady operation, etc. Meanwhile, it can be widely used in such areas as raw medicine material industry, chemical industry, foodstuff industry, etc.



Principle:

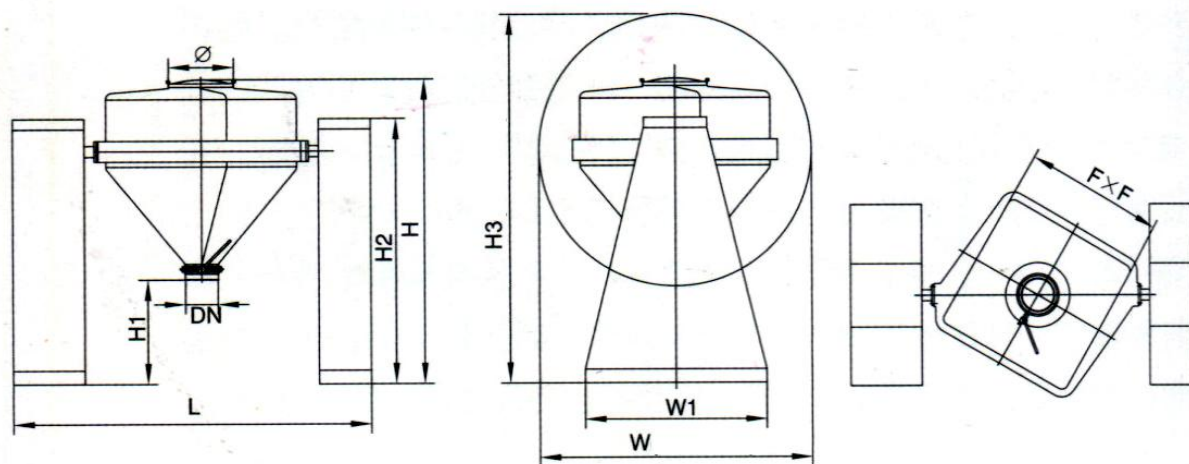
FX series Mixer consists of supporting shelf, driving system, controlling system, etc. To start to work, charge the materials into the container and close the cover. Assign the parameters as mixing time, mixing speed according to requirements. Switch on the button to start the driving motor, the machine starts to work. Reaching to the assigned parameters, the braking system works, the machine stops accordingly with the container orientated vertically. The mixing craft is then finished and can separate, the braking system works, the machine stops accordingly with the container orientated vertically. The mixing craft is then finished and can separate materials from the container. The structure trait of HGD series Mixer is that the container and the mixing axis make of an angle, the movement of the materials inside the container contains not only overturn, but tangent movement along the wall of container. This gains it a perfect mixing efficiency.

Features:

FX series Mixer is the brand-new successfully type by our company widely researching, absorbing and digesting foreign updated models. It has compact structure, steady performance and is convenient to operate. There is no dead angle, no concave-convex face and no screw on surface. All angles are cambered. The surface outside and inside is polished to high quality. Roughness degree inside is $Ra \leq 0.2\mu m$, and outside is $Ra \leq 0.4\mu m$. Applying sealing appliance made of silicon latex on the cover of the container to gain a good airproof quality, and butterfly valve against wrong way operation. It's easy to wash. Charging coefficient arranges from 50% to 80% with adjustable mixing time and speed, the mixing coefficient reaches to 99%. It's in conformity with the GMP requirements



Dimensions:



Technical Data	FX-300	FX-400	FX-500	FX-600	FX-800	FX-1000	FX-1200	FX-1500	FX-1800	FX-2000	FX-3000	FX-4000	FX-5000	FX-6000	FX-8000	FX-10000
L	1850	1950	2200	2500	2650	2750	2820	2850	2900	2950	3650	4300	4500	4850	5200	5700
W	1280	1500	1530	1600	1830	2100	2160	2340	2450	2570	2890	3250	3410	3520	3950	3950
W1	1200	1200	1200	1200	1200	1400	1400	1400	1400	1400	1800	2400	2600	2600	2850	2850
F	700	800	850	900	1000	1100	1200	1200	1300	1400	1500	1600	1800	2000	2200	2400
H	1980	2250	2220	2350	2580	2850	2950	3160	3000	3400	3700	4245	4405	4470	5100	5090
H1	800	800	800	800	800	810	800	830	825	825	800	1000	1000	1000	1200	1200
H2	1700	1720	1780	1800	1900	2050	2120	2250	2300	2350	2575	2950	3050	3250	3465	2500
H3	1900	1940	2000	2040	2160	2355	2435	2630	2565	2710	2980	3600	3690	3800	4100	4330
DN	200	200	200	200	200	250	250	250	250	250	250	250	250	250	300	300
Φ	300	400	500	500	500	500	500	500	500	500	500	500	500	500	500	500
Blending speed(rpm)	3~14	3~20	3~13	3~20	3~15	3~15	3~15	3~15	3~15	3~15	3~15	3~10	3~10	2~8	2~8	2~6
Max bin volume(L)	300	400	500	600	800	1000	1200	1500	1800	2000	3000	4000	5000	6000	8000	10000
Loading volume(L)	240	320	400	480	640	800	960	1200	1440	1600	2400	3200	4000	4800	6400	8000
Loading Weight(Kg)	150	200	250	300	400	500	600	750	900	1000	1500	2000	2500	3000	4000	5000
Power(Kw)	1.5	2.2	2.5	3	3	4	4	5.5	5.5	5.5	7.5	11	11	11	15	15
Weight(Kg)	600	600	750	700	800	1000	1200	1500	1800	2000	2900	3500	4000	5200	6300	7500

SaintyCo also offer:

Encapsulation Solutions

Tablet Compression Solutions

Coating Systems

Cartoning Systems

Blister Packing Solutions

