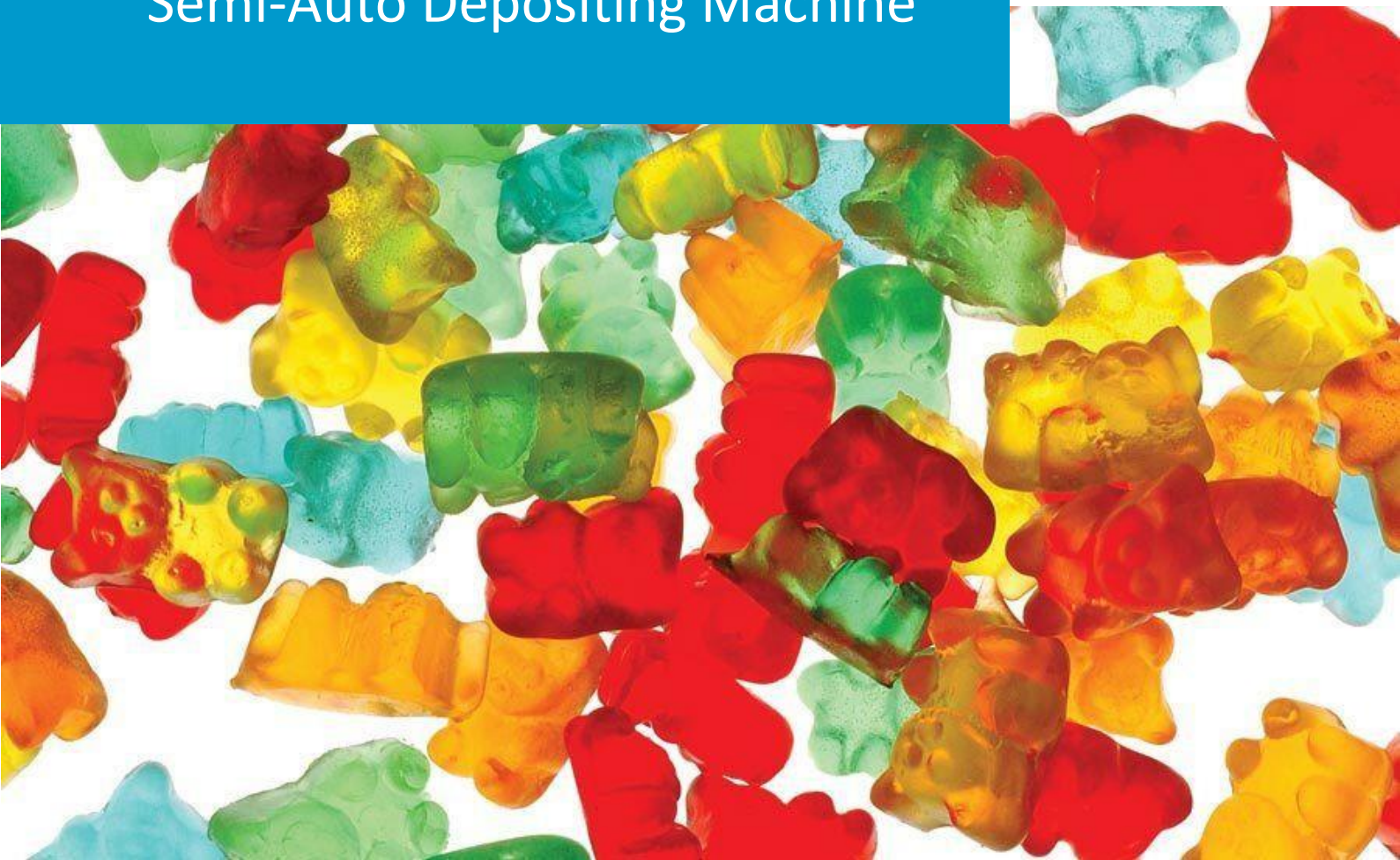


DM-20

Semi-Auto Depositing Machine



DM-20

Semi-Auto Depositing Machine



This is the second generation of semi-auto production line for functional gummy like CBD, THC gummies. The processing line is an advanced and continuous plant for making different sizes of candies, ranging from 1-7g, with a total output of 3000-6000 gummies per hour. This equipment is space-efficient, reduces labor costs, has flexible production quantities with customized molds, and easy cleaning/changeover, allowing your product's primary focus on quality and control.

IN-HOUSE PRODUCTION Only NEED 1-2 PERSONS ROOM SIZE 10-12 m²

Best for small pilot test with few staff and small space



Metal mold with release pin on the back



Silicon mold

METAL OR SILICON MOLDS

Flexible choice of molds that could be customized based on your gummy design

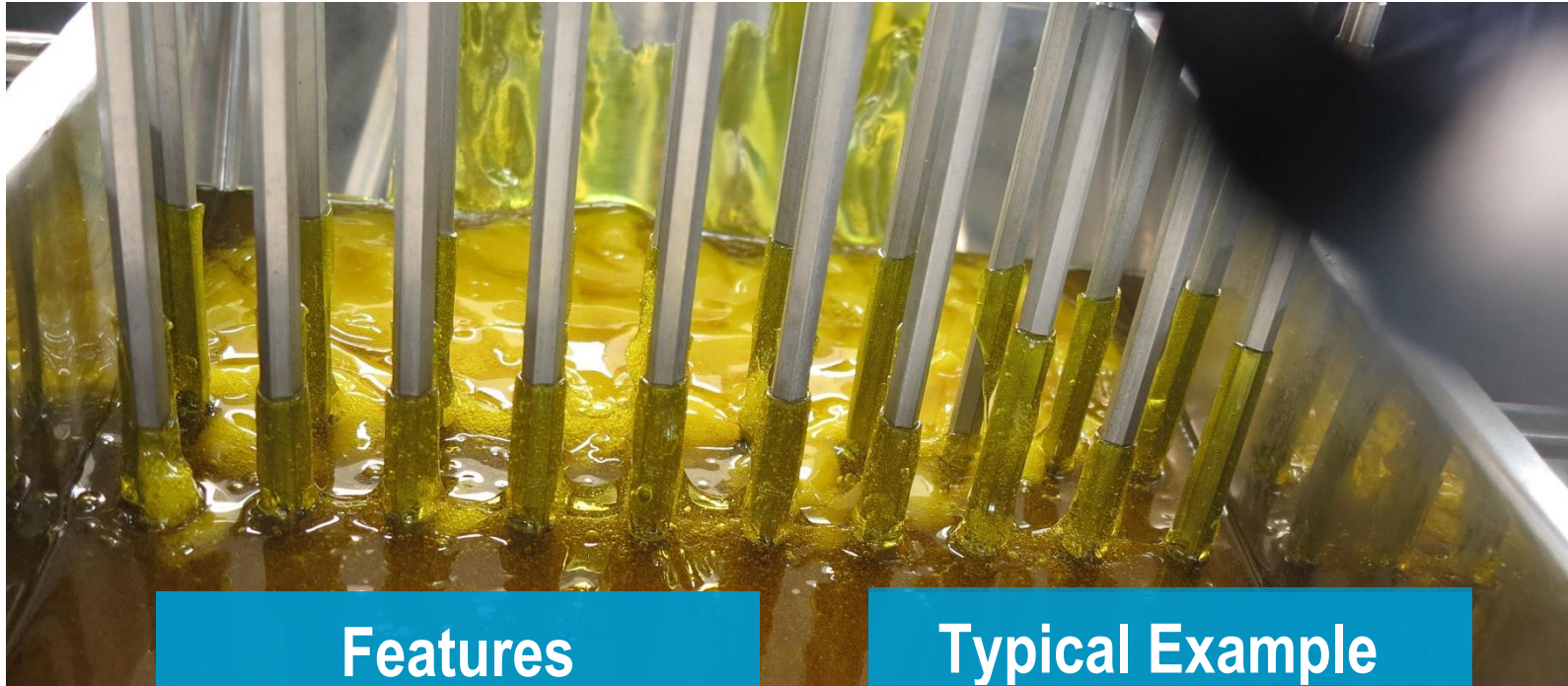
2-IN-1 Depositing and De-molding

Integrated system ensure the whole production efficiency

Demolding device



Features



Features

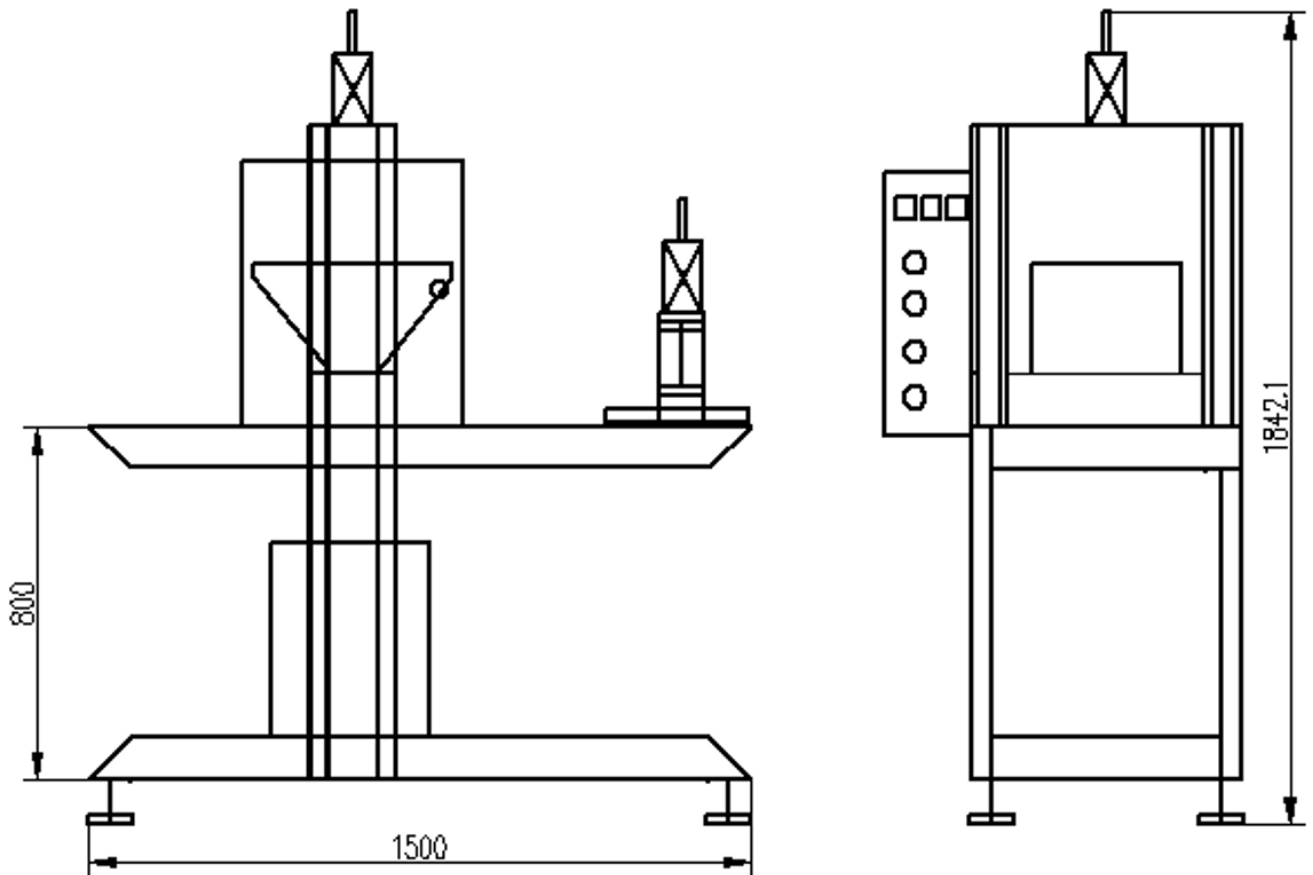
- Mounted on wheels.
- Rapid startup and low scrap rate
- Easy maintenance.
- Equipped with de-molding machine
- Food grade stainless steel material
- Thermostatically controlled heating system
- Pneumatic driven by pedal or button pressed

Typical Example

Recommended weight per batch: 8-10 kg

- 4g gummy
- 5 strokes per minute
- Finish within 20 mins
- 5 times* 20 mins*20 cavity=2000 Unit
- 2000 gummies*4g=8kg
- 4000-6000 gummies per hour

Technical Data



Technical Data	DM-20
Capacity	4000-6000 gummies per hour
Depositing speed	5-7 times /min
Power supply	220V 60HZ 1P 5KW
Hopper Size	10L
Air pressure	> 0.4 MPa
Weight	400 kgs
Dimension	1500X1800X600 mm
Gummy weight	1-7g

SaintyCo also offer:

- Softgel Manufacturing Line
- Automatic Gummy Product Line(Pilot to Large Scale)
- Gummy Pouch Packing Solution
- Gummy Bottle Packing Solution

For additional information,please drop email to info@saintyco.com.

